

**High
quality**

**Modern
design**

**Innovative
solutions**

JANO

**POLISH PRODUCER
OF LINEAR DRAINS**





Jano is dynamic and innovative company that is one of market leaders in Poland. We are the polish producer of linear drains with highly qualified staff what allows us to introduce to the market the products with the highest quality standards and the products that meet market needs and requirments.



QUALITY IS OUR ADVANTAGE

**EASY
CLEAN**

**EASY
INSTALLATION**

**EASY
ACCESS**

LINEAR DRAINS



REAL

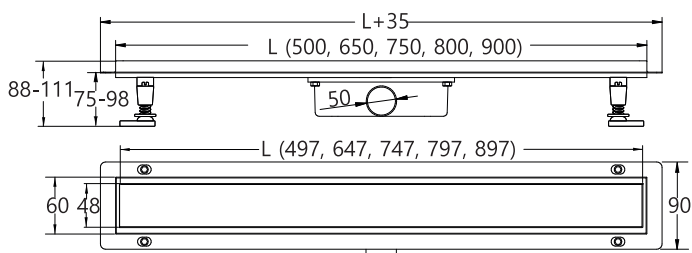
LINEAR DRAIN



SIPHONE PRO EASY SYSTEM



CLIP-IN FEET



- Finished by glass bead blasting method
- Effective prevention against odor from the sewage system
- Easy and quick installation
- Safe to use
- Adjustable height 75-98 mm
- Water flow 0,95l/s
- Outflow Ø50 mm
- Stainless steel construction
- Possibility to anchor the legs in the floor

GRATES

BLACK GLASS



WHITE GLASS



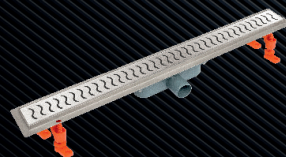
DUO



KRONOS



FALA

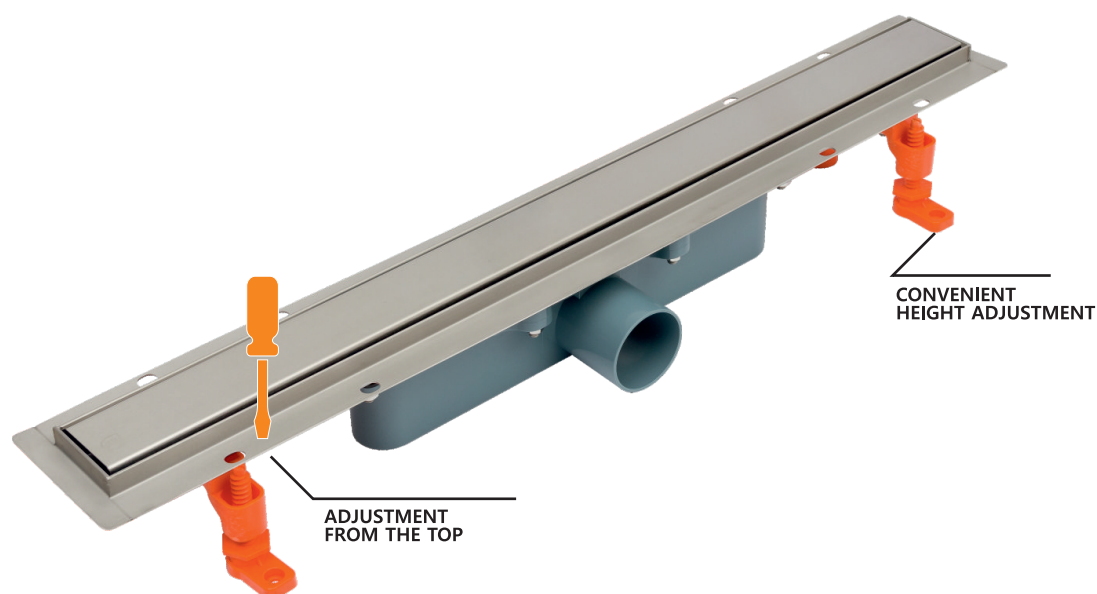


SIZE	DUO	FALA	KRONOS	BLACK GLASS	WHITE GLASS
500	O5122	O5127	O5132	O5137	O5142
650	O5123	O5128	O5133	O5138	O5143
750	O5124	O5129	O5134	O5139	O5144
800	O5125	O5130	O5135	O5140	O5145
900	O5126	O5131	O5136	O5141	O5146

REAL PLUS

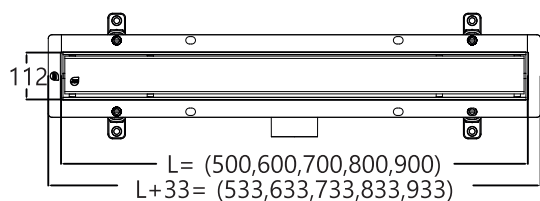
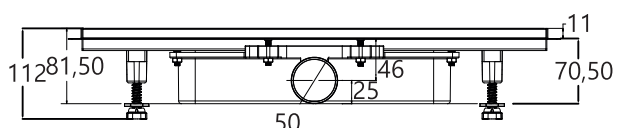
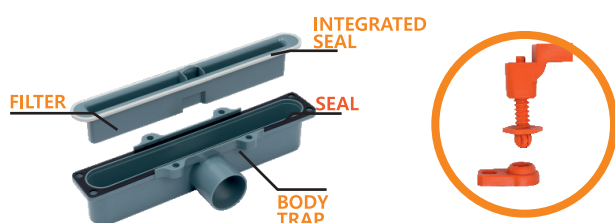
LINEAR DRAIN

JANO



SIPHON PRO EASY SYSTEM PLUS

CLIP-IN FEET

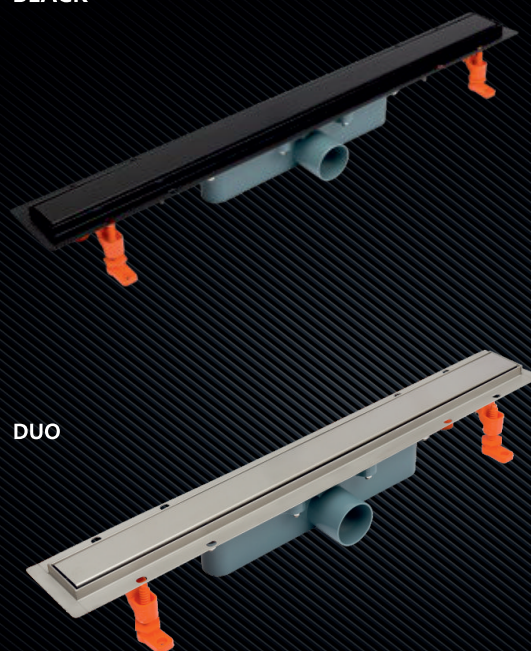


- Unique trap design
- Grate – only 41 mm width
- Effective prevention against odor from the sewage system
- Easy and quick installation
- Safe to use
- Regulated height 70,50mm – 95mm
- Water flow 0,8l/s
- Outflow Ø50 mm
- Drain channel and cover made of stainless steel
- Strong steel construction
- Possibility to anchor the legs in the floor

GRATES

BLACK

DUO

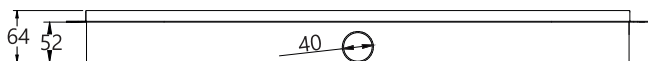
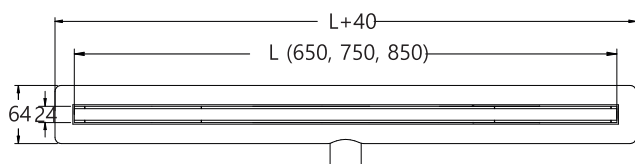


SIZE	DUO	BLACK
500	O5147	O5152
600	O5148	O5153
700	O5149	O5154
800	O5150	O5155
900	O5151	O5156

SLIM BLACK



LINEAR DRAIN



- Minimalist and modern design
- Easy and quick installation
- Cover width 10mm
- Outflow $\varnothing 40$ mm
- Drain channel black - stainless steel powder painted
- Strong steel construction
- Water flow 18,5l/min

GRATES

SILVER



BLACK



SIZE	BLACK	SILVER
650	S6027	O2083
750	S6028	O2084
850	S6029	O2085

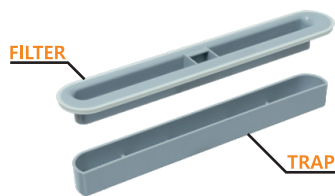
PRESTIGE

LINEAR DRAIN

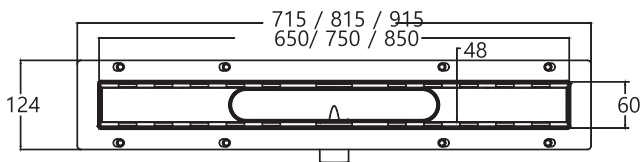
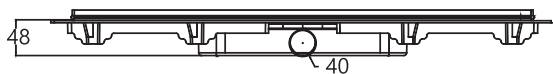
ONLY 48MM HEIGHT **JANO**



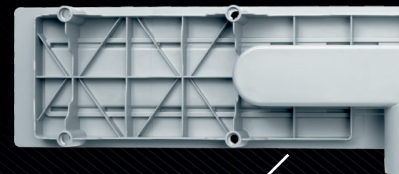
SIPHON WITH EASY CLEANING FILTER



CLIP-IN FEET



- Low installation height min. 48 mm
- Adjustable installation height 48-72mm
- Strong construction
- Easy and quick installation
- Safe to use
- Water flow 0,74 l/s
- Outflow Ø40 mm
- Reinforced construction
- Cover and frame made of stainless steel
- Detachable legs
- Monolit drain channel construction



UP TO 300KG PRESSURE

GRATES

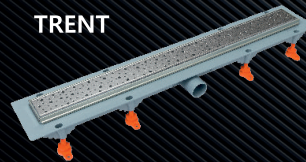
DUO



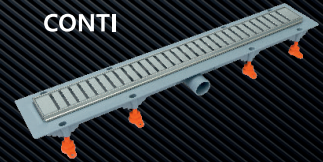
TORNE



TRENT



CONTI



SIZE	DUO	TORNE	TRENT	CONTI
650	S2144	S2075	S2072	S2171
750	S2145	S2076	S2073	S2172
850	S2146	S2077	S2074	S2173

WALL LINEAR DRAIN

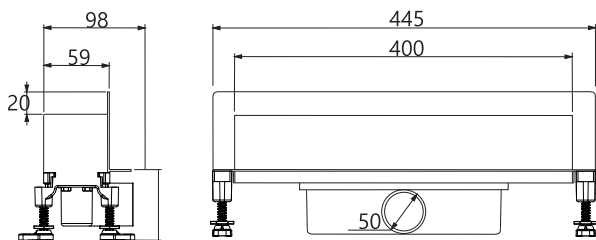
JANO



SIPHON PRO EASY SYSTEM



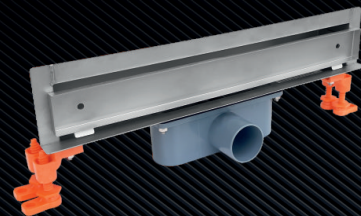
CLIP-IN FEET



- Minimalist design
- Easy and quick installation
- Water flow 0,8l/s
- Outflow Ø50 mm
- Drain channel and cover made of stainless steel
- Strong steel construction
- Possibility to anchor the legs in the floor
- Cover length 400 mm

GRATES

UNDER THE TILE O2086



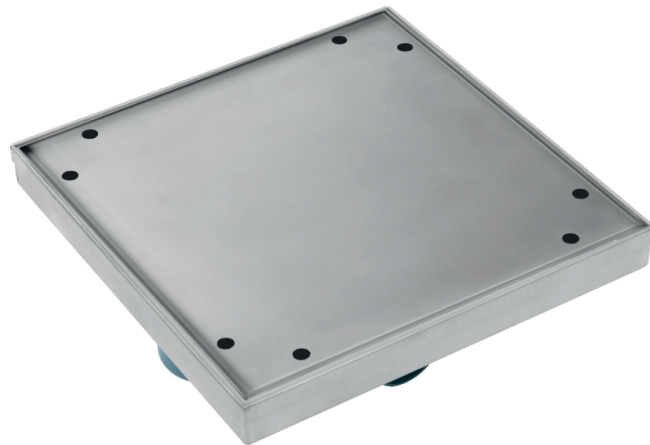
SOLID O2087



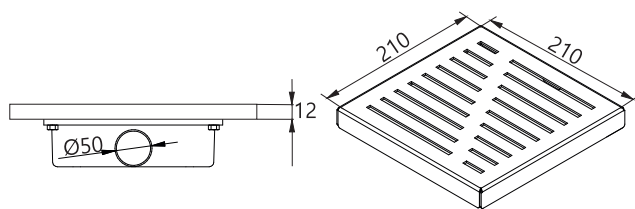
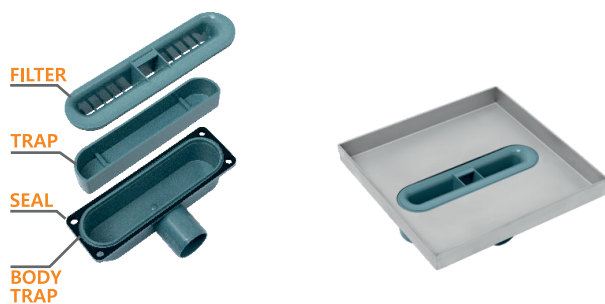
SQUARE

DRAIN

JANO



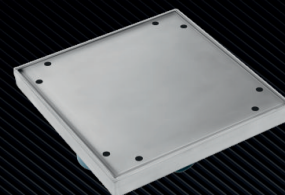
SIPHON PRO EASY SYSTEM



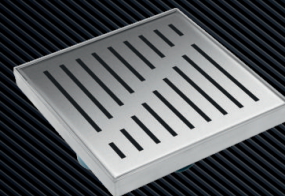
- Easy and quick installation
- Low height installation
- Outflow Ø50 mm
- Drain channel and cover made of stainless steel
- Water flow 0,8l/s
- Strong construction
- Dimensions – 210x210 mm, H-70 mm

GRATES

UNDER THE TILE O2098



ELBA O2099



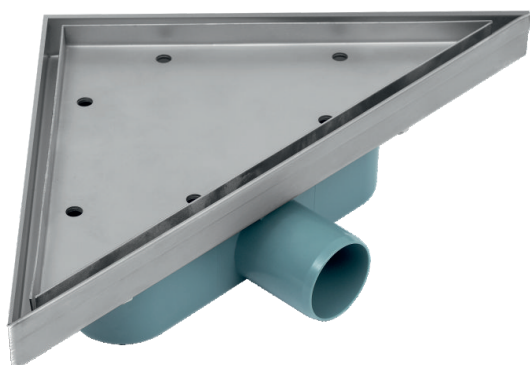
IBIZA O2104



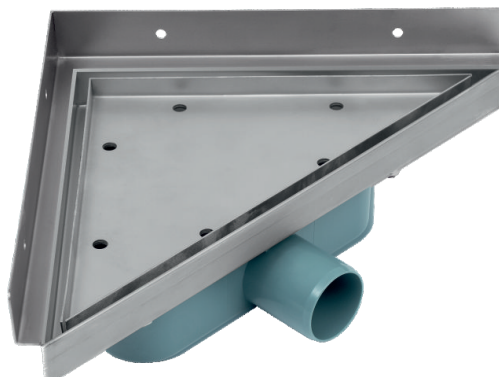
TRAINGLE



DRAIN

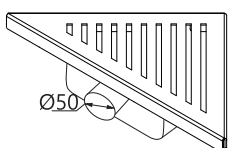
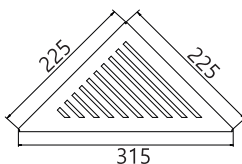
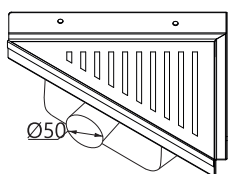
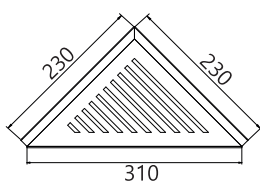
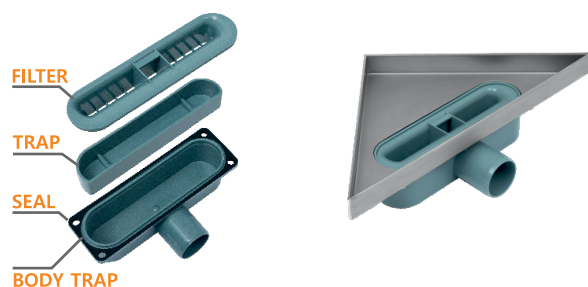


REGULAR
MOUNTING DRAIN



IN-WALL
MOUNTING DRAIN

SIPHON PRO EASY SYSTEM

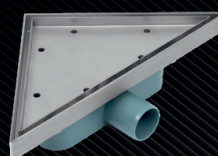


- Easy and quick installation
- Low height installation
- Outflow Ø50 mm
- Drain channel and cover made of stainless steel
- Water flow 0,8l/s
- Strong construction
- Dimensions – 230x230x310, H-70 - in wall

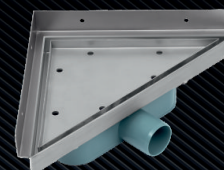
GRATES

UNDER THE TILE

O2100
(REGULAR)

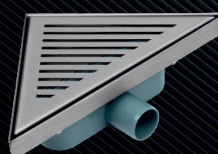


O2102
(IN-WALL)

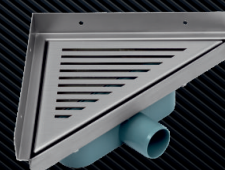


ELBA

O2101
(REGULAR)



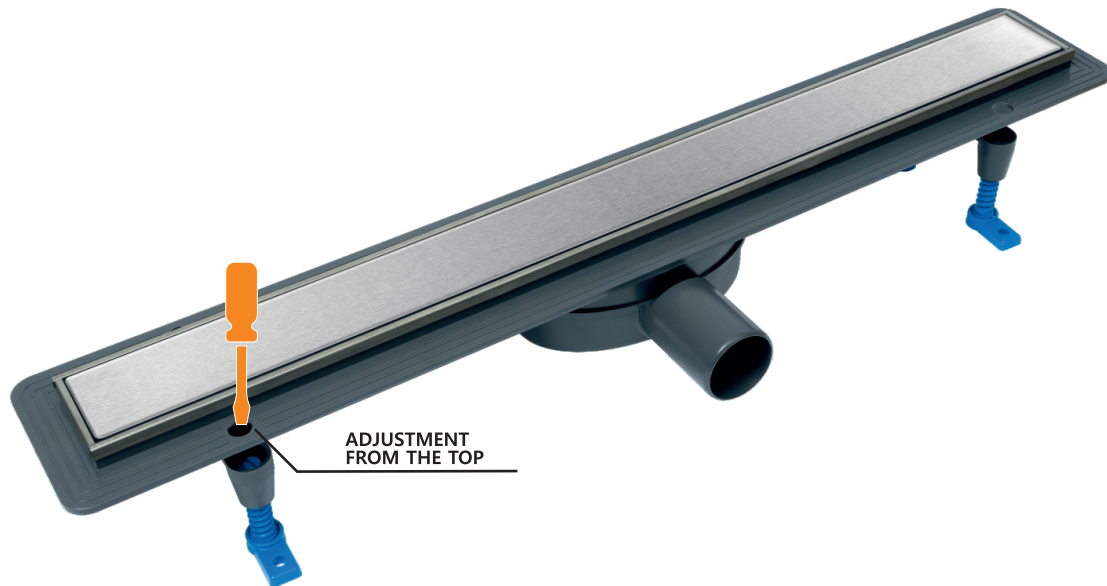
O2103
(IN-WALL)



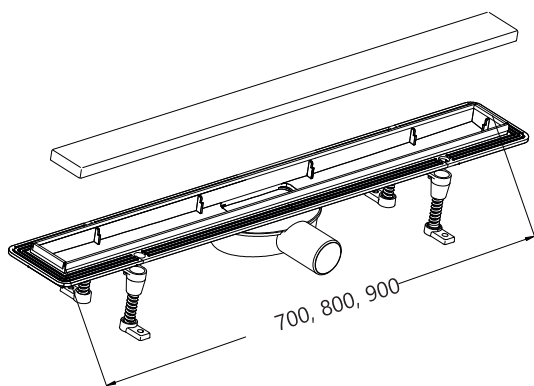
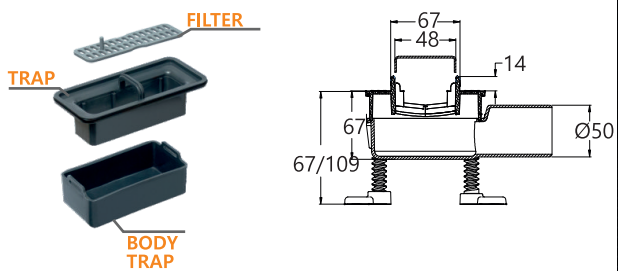
KLASIK

LINEAR DRAIN

JANO



SIPHON WITH EASY CLEANING FILTER



- Easy and quick installation
- Effective prevention against odor from the sewage system
- Adjustable height 67 mm – 109 mm
- Water flow 0,8 l/s
- Outflow Ø50 mm
- Cover and frame made of stainless steel
- Possibility to anchor the legs in the floor

GRATES

DUO

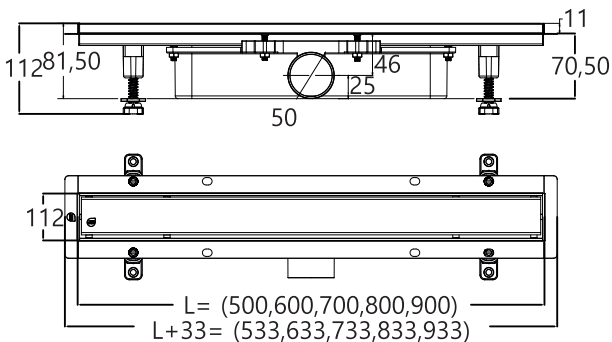


PERLE



SIZE	DUO	PERLE
700	S2174	S2177
800	S2175	S2178
900	S2176	S2179

PREMIUM LINEAR DRAIN



- Unique trap design
- Cover – only 40 mm width
- Effective prevention against odor from the sewage system
- Easy and quick installation
- Safe to use
- Regulated height 70,50mm – 95mm
- Water flow 0,74l/s
- Outflow Ø50 mm
- Drain channel and cover made of stainless steel
- Strong steel construction
- Possibility to anchor the legs in the floor

GRATES

RETRO



GOLD BRUSHED



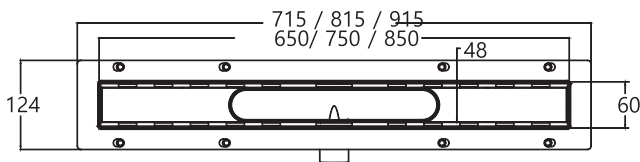
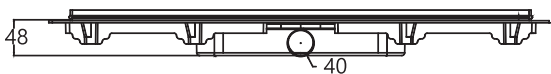
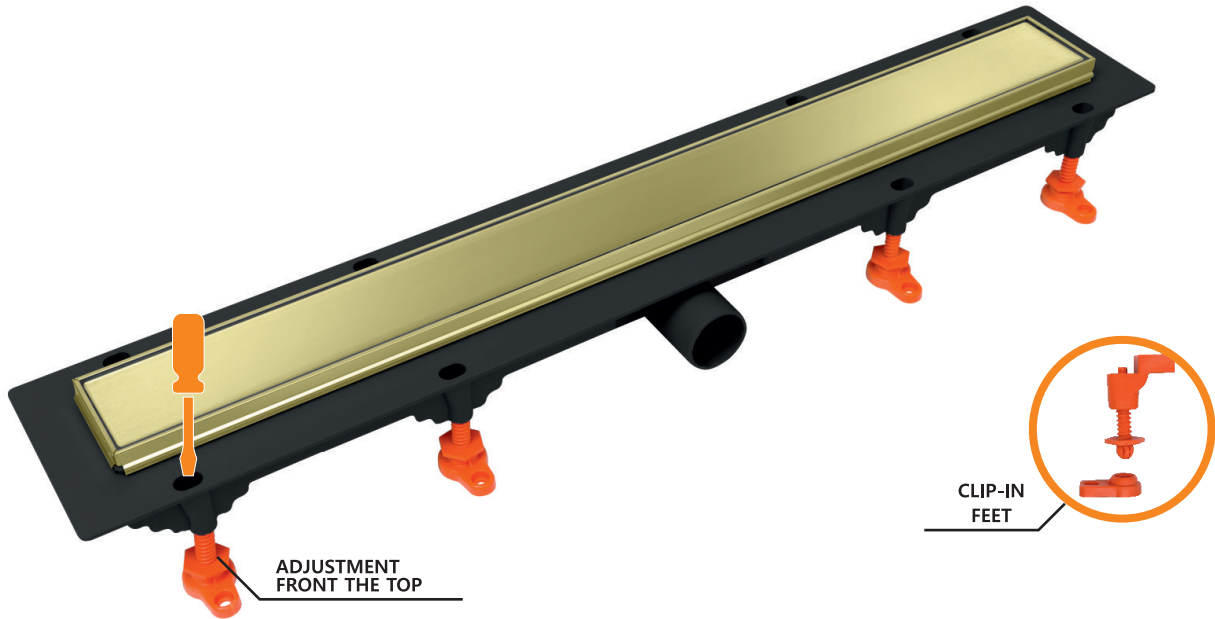
GOLD SHINE



SIZE	RETRO	GOLD SHINE	GOLD BRUSHED
600	O5158	GL5118GS	GL5118GB
700	O5159	GL5119GS	GL5119GB
800	O5160	GL5120GS	GL5120GB
900	O5161	GL5121GS	GL5121GB

EXCLUSIVE

LINEAR DRAIN



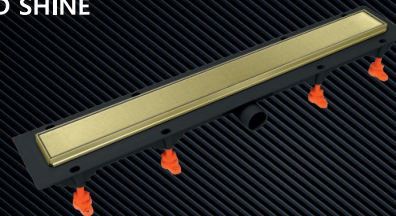
- Low height, min. 48 mm
- Strong construction
- Easy and quick installation
- Safe to use
- Adjustable height 48 mm – 72 mm
- Water flow 0,74l /s
- Outflow Ø40 mm
- Additionally reinforced construction
- The plastic drain
- Cover and frame made of stainless steel
- Setachable legs
- Monolit

GRATES

BLACK



GOLD SHINE



GOLD BRUSHED

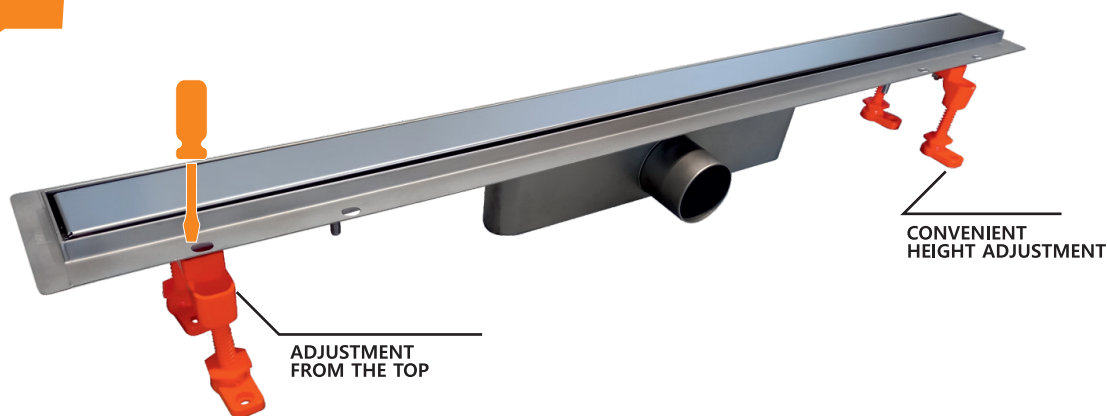


SIZE	BLACK	GOLD SHINE	GOLD BRUSHED
650	GL2144B	GL2144GS	GL2144GB
750	GL2145B	GL2145GS	GL2145GB
850	GL2146B	GL2146GS	GL2146GB

IMPRESSIVE LINEAR DRAIN

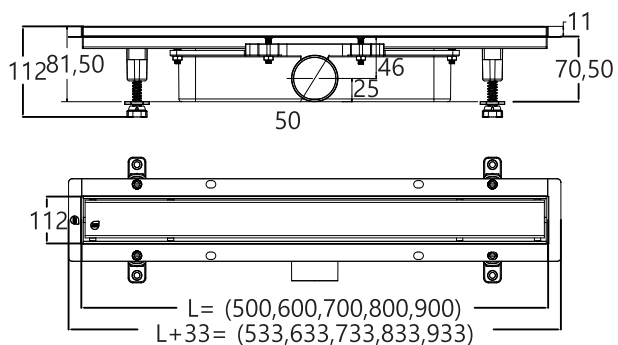
JANO

BESTSELLER



FILTER

CLIP-IN
FEET



- Unique trap design
- Grate – only 41 mm width
- Effective prevention against odor from the sewage system
- Easy and quick installation
- Safe to use
- Regulated height 70,50mm – 95mm
- Water flow 0,8l/s
- Outflow Ø50 mm
- Drain channel and cover made of stainless steel
- Strong steel construction
- Possibility to anchor the legs in the floor

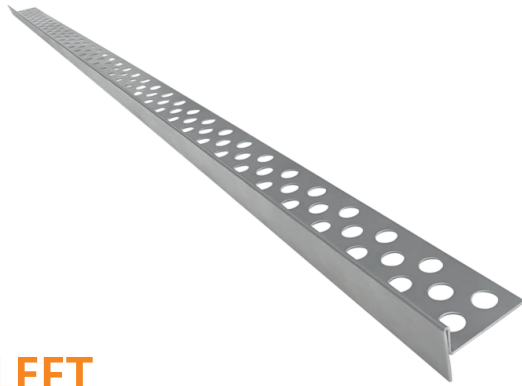


SIZE	DUO
500	O5117M
600	O5118M
700	O5119M
800	O5120M
900	O5121M

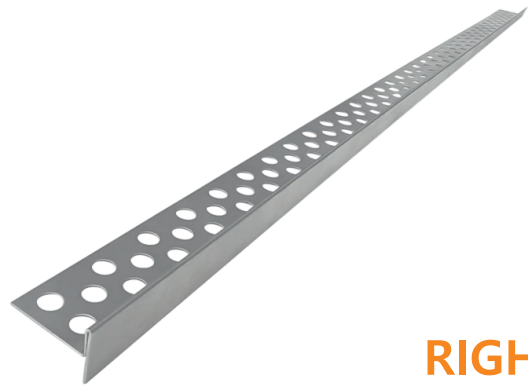
STRIP



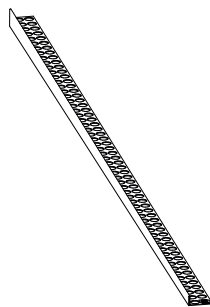
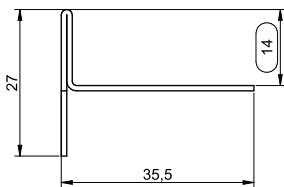
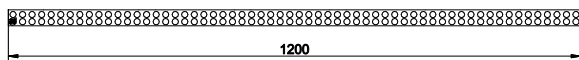
FOR SLOPED FLOORS



LEFT



RIGHT



- Strong construction
- Easy and quick installation
- The possibility of cutting the strip from the short side
- Aesthetically masks the edges of the tiles

BLACK



SILVER



SIZE	RIGHT SILVER	LEFT SILVER	RIGHT BLACK	LEFT BLACK
1000	LK007P	LK007L	LK008P	LK008L
1200	LK001P	LK001L	LK002P	LK002L
1400	LK005P	LK005L	LK006P	LK006L



VALVES

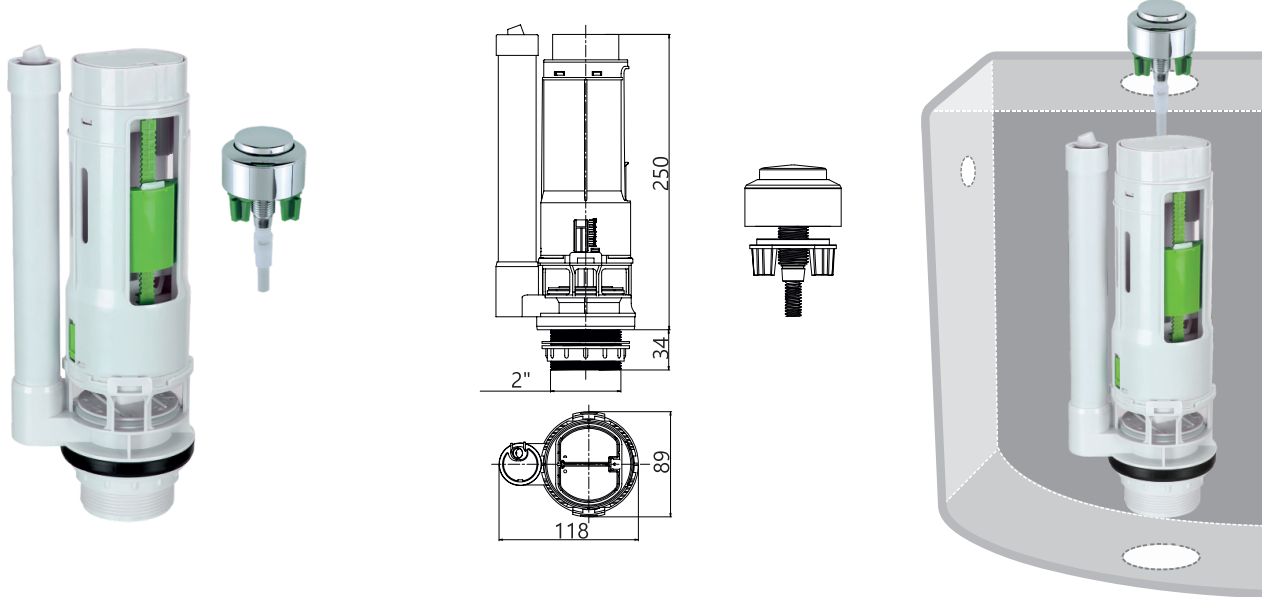


SINGLE FLUSH



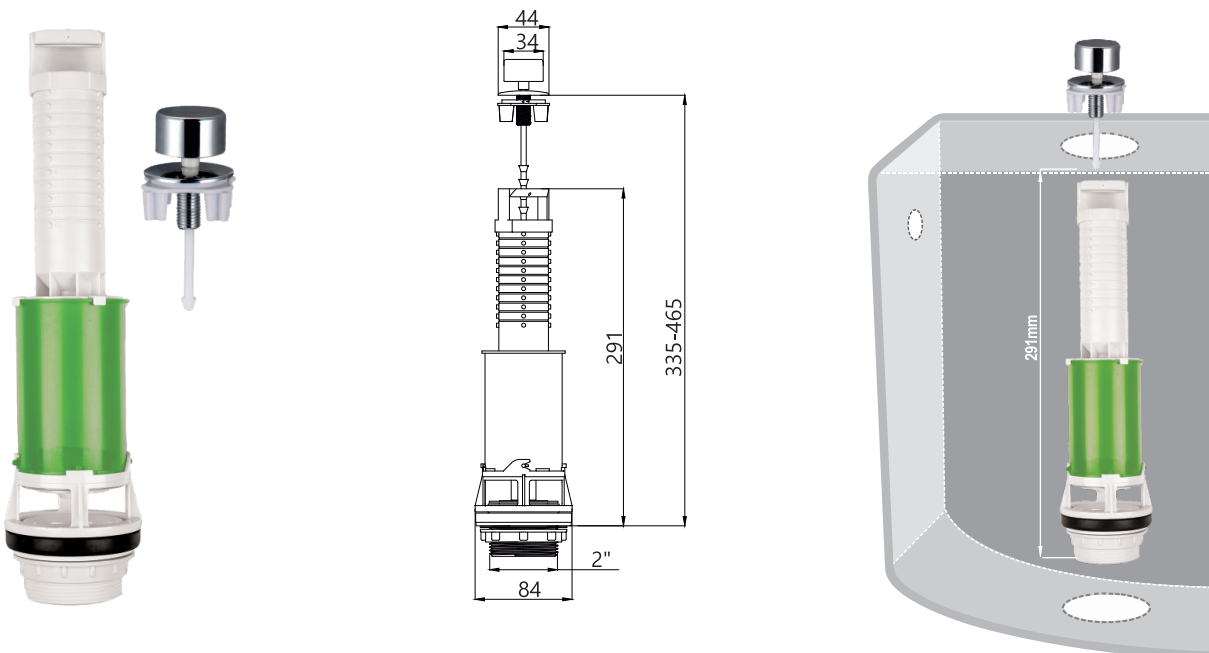
VALVES

SINGLE FLUSH VALVE WITH SINGLE PUSH BUTTON Z6001



- Adjustable overflow pipe for option
- Partial flush float, when moving up, the flush volume decrease
- Silicon seal rubber, anti-leak at various water condition and various water temperature
- Flushing flow rate 2,3 l/s
- Single push button
- Easy and quick installation
- Start-stop
- Outlet dia 2"

PULL TYPE SINGLE VALVE Z6019 without a button Z6041 with a button



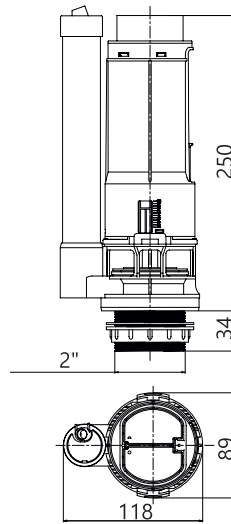
- Flushing flow rate 2,3 l/s
- Outlet dia 2"
- Easy and quick installation
- Pull type single flush valve
- Overflow tube in the middle, suitable for small tank

DUAL FLUSH

VALVES

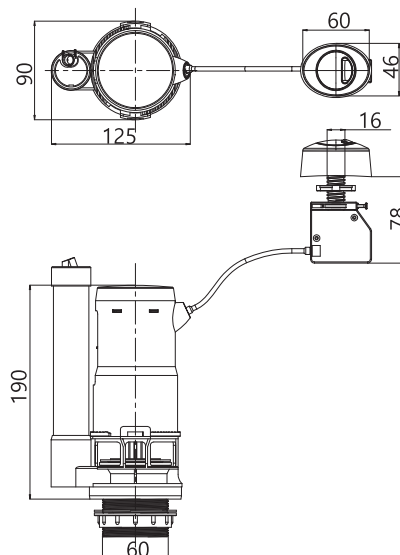


DUAL FLUSH VALVE WITH PUSH BUTTON Z6032



- Flushing flow rate 2,3l
- Dual flush valve with push button
- Easy and quick installation
- 3/6 liters (partial flush, full flush)
- Silicon rubber seal for long life time
- Partial flush float, when moving up, the flush volume decrease
- Full flush adjustment sheet, when moving up, the flush volume decrease
- Outlet dia 2"

CABLE DUAL FLUSH VALVE Z6031



- Flushing flow rate 2,3 l/s
- Double button
- Easy and quick installation
- 3/6 liters (partial flush, full flush)
- Unique design provides easy installation and maintenance

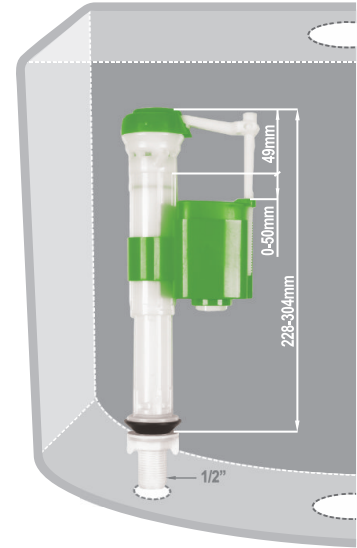
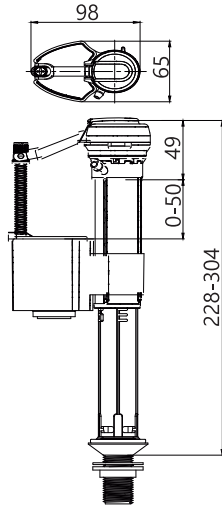
FILL



VALVES



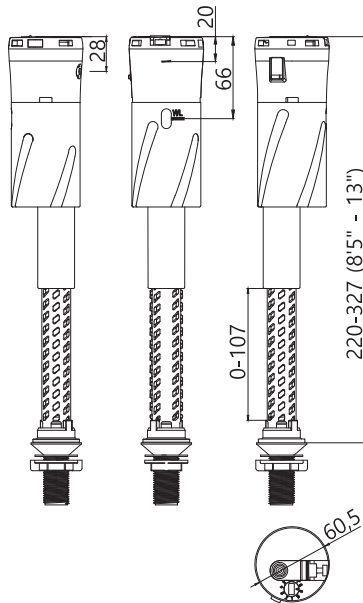
valve tip
to choose from



- Water flow 4,5 l/min
- Work volume 19dB
- Easy to adjust water level by rotating adjustment lever directly
- Move the fixing hoop upward, easily adjust the installation height
- Filter – make sure good working performance under various water conditions

PHOTO	SIZE	MATERIAL	CODE
	1/2"	BRASS	Z6000M
	3/8"	BRASS	Z6017M
	1/2"	PP	Z6000
	3/8"	PP	Z6017

Z6033



- Water flow 2,3 l/s
- Extra silence
- Filter on top instead of on bottom where connects supply pipe, convenient to take off for cleaning.
- Easy and quick installation

SIDE FILL

VALVES

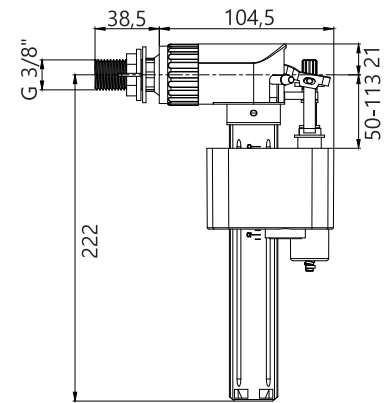
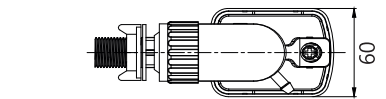
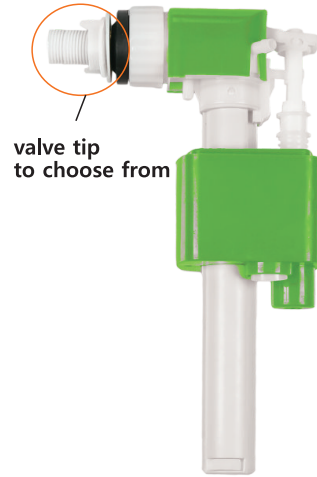
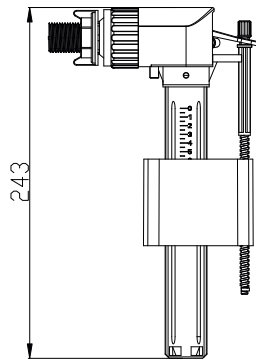
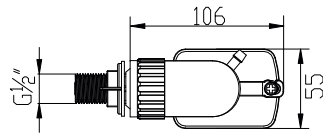
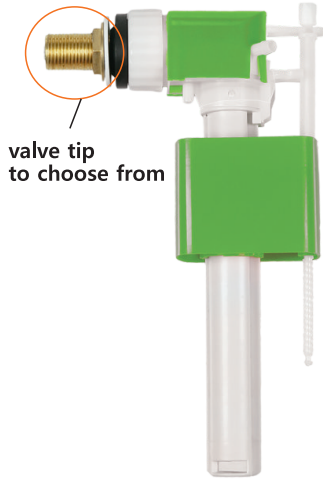
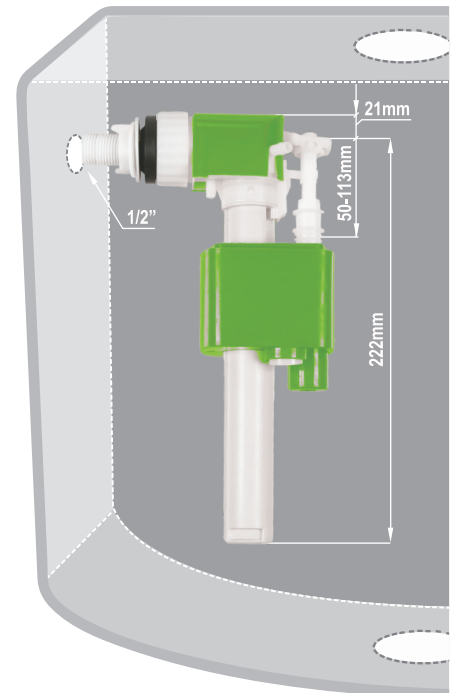


PHOTO	SIZE	MATERIAL	CODE
	1/2"	PP	Z6014E
	3/8"	PP	Z6014D
	1/2"	BRASS	Z6014C
	3/8"	BRASS	Z6014B
	1/2"	CHROM	Z6014A
	3/8"	CHROM	Z6014



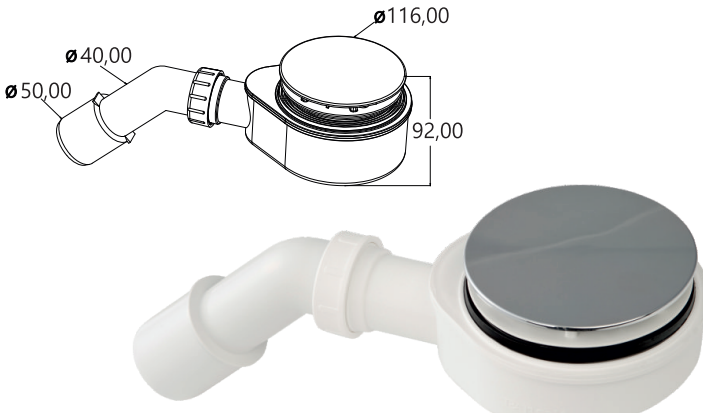
- Water flow 4,7 l/s
- Easy and quick installation
- Quiet work
- Special structure for quite filling.
- Easy adjustment on float, by adjust rod directly
- Filter – make sure good working performance under various water condition

OUTFLOW SET FOR SHOWER TRAY




OUTFLOW SET

FOR SHOWER TRAY




- Low siphonage
- Easy and quick instalation
- Resistance to damage
- Easy filter cleaning from top


cover color



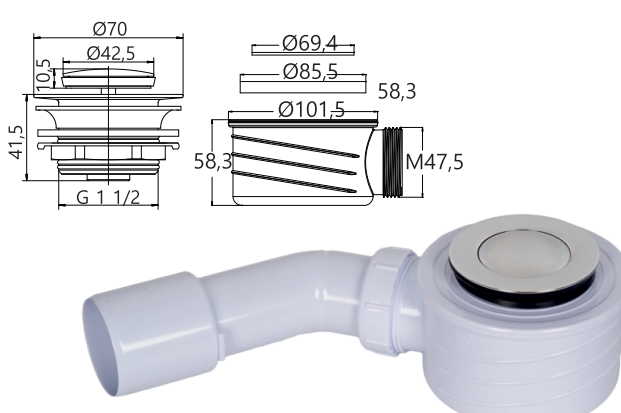
black




white




gold



type of click clack

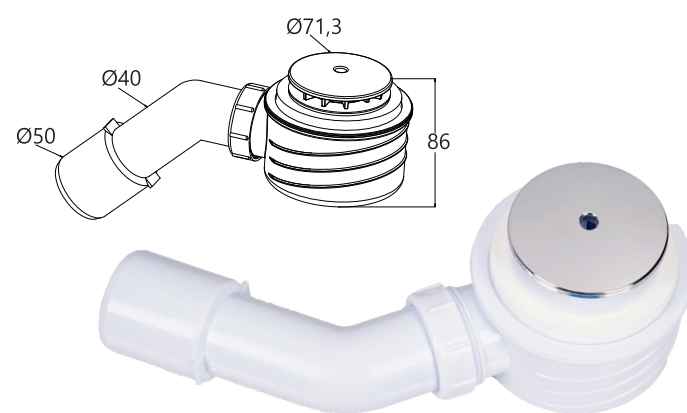


black




gold


- Low siphonage
- Easy and quick instalation
- Resistance to damage
- Precise click clack closure



type of cover



black



gold

- Low siphonage
- Easy and quick instalation
- Resistance to damage
- Easy filter cleaning from top

WC CONNECTOR

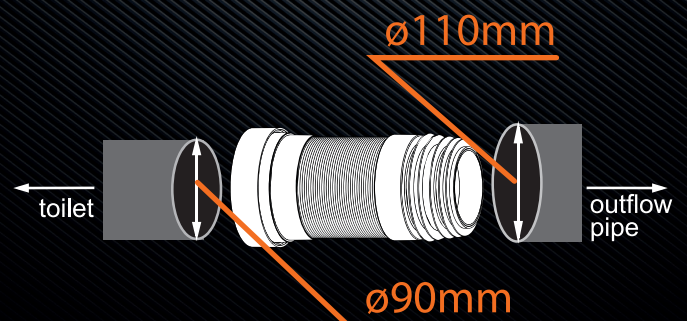
JANO

Z5060



- Easy and quick installation
- Shape memory
- Universal
- High quality
- L = 200-500

scan for
installation guide



PACKING EXAMPLES



One of the production buildings





GERMANline



JANO Spółka z ograniczoną odpowiedzialnością
ul. Siennieńska 252
27-400 Ostrowiec Świętokrzyski
[tel: +\(48\) 730288277](tel:+48730288277)
aneta.walczyk@phujano.pl